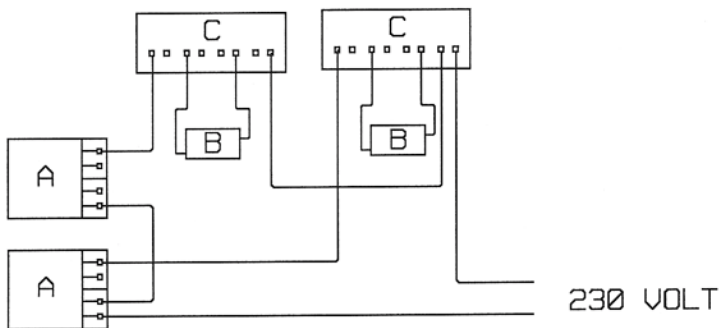


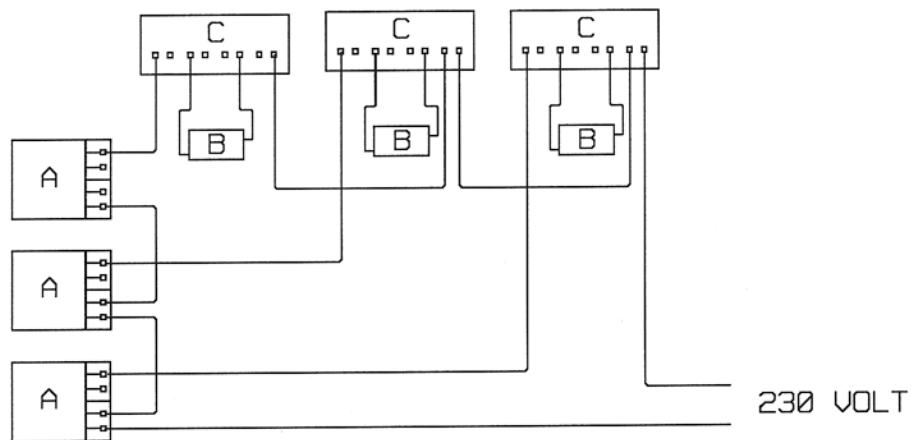
1 DULUX LAMP

Light connection diagram

A = BALLAST (CHOKE)  
B = STARTER HOLDER  
C = LAMPHOLDER



2 DULUX LAMPS



3 DULUX LAMPS